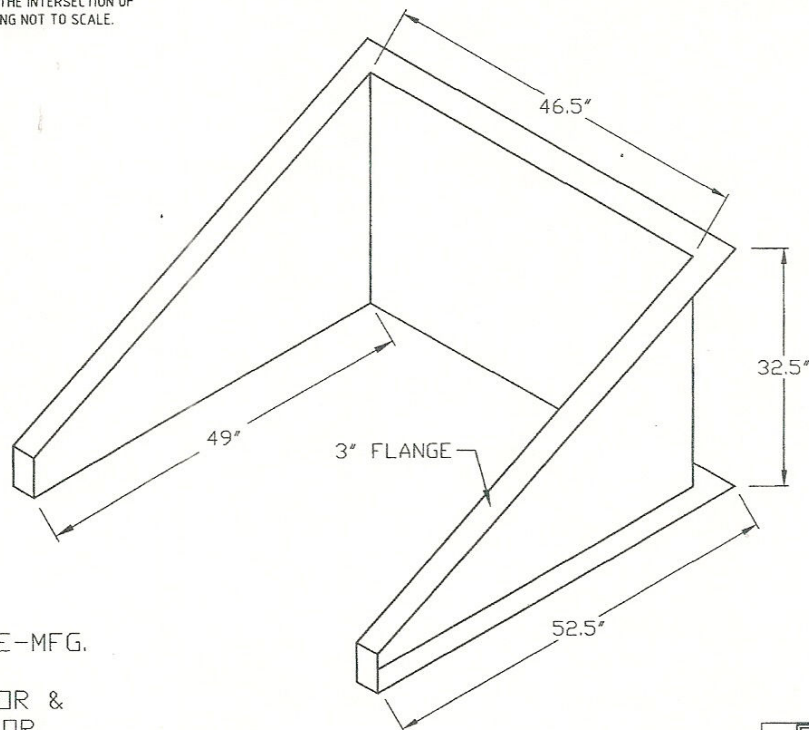


# COMPOSITE HILLHOLDER

NOTE: DIMENSIONS ARE MEASURED AT THE INTERSECTION OF PROJECTED ADJACENT PLANES. DRAWING NOT TO SCALE.

ELECTRI-GLASS, INC.  
63 COMPASS DRIVE  
JACKSON, TN. 38301

731-427-0433 (P)  
731-427-4684 (F)  
EGLASS@AENEAS.NET  
WWW.ELECTRI-GLASS.COM



COMPOSITE  
HILLHOLDER/PRE-MFG.  
WALL  
M.GREEN INTERIOR &  
M.GREEN EXTERIOR  
POLYESTER REINFORCED  
WITH FIBERGLASS

**ELECTRI-GLASS, INC.**

DATE: 08/25/12	DRAWN BY: J.P.
DWG.# 01	REVISED:
COMPOSITE HILLHOLDER / PRE-MFG.WALL	
<b>CAT.# EGHH-494632</b>	