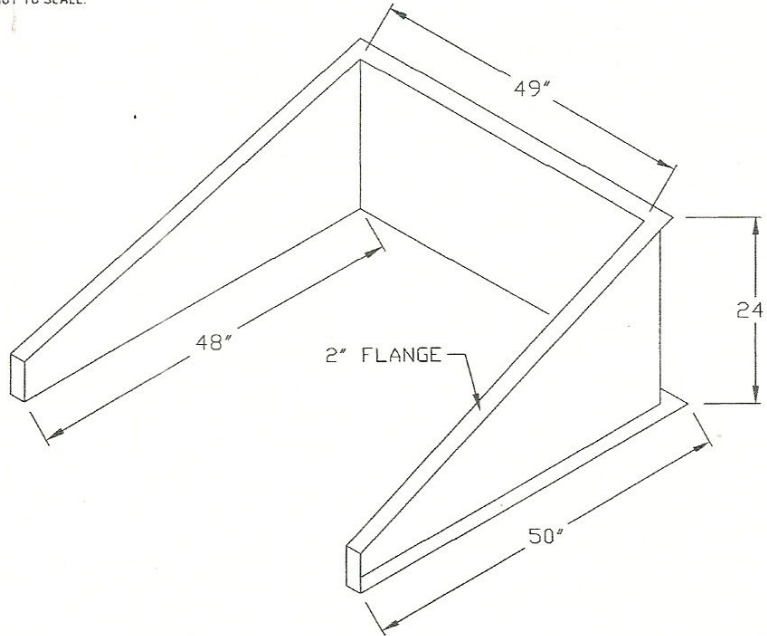


# COMPOSITE HILLHOLDER

NOTE: DIMENSIONS ARE MEASURED AT THE INTERSECTION OF PROJECTED ADJACENT PLANES. DRAWING NOT TO SCALE.

ELECTRI-GLASS, INC.  
65 COMPASS DRIVE  
JACKSON, TN. 38301

731-427-0433 (P)  
731-427-4684 (F)  
EGLASS@AENEAS.NET  
WWW.ELECTRI-GLASS.COM



COMPOSITE  
HILLHOLDER/PRE-MFG.  
WALL  
M.GREEN INTERIOR &  
M.GREEN EXTERIOR  
POLYESTER REINFORCED  
WITH FIBERGLASS

ELECTRI-GLASS, INC.	
DATE: 08/28/12	DRAWN BY: J.P.
DWG.# 01	REVISED:
COMPOSITE HILLHOLDER / PRE-MFG.WALL	
CAT.# EGHH-494824	