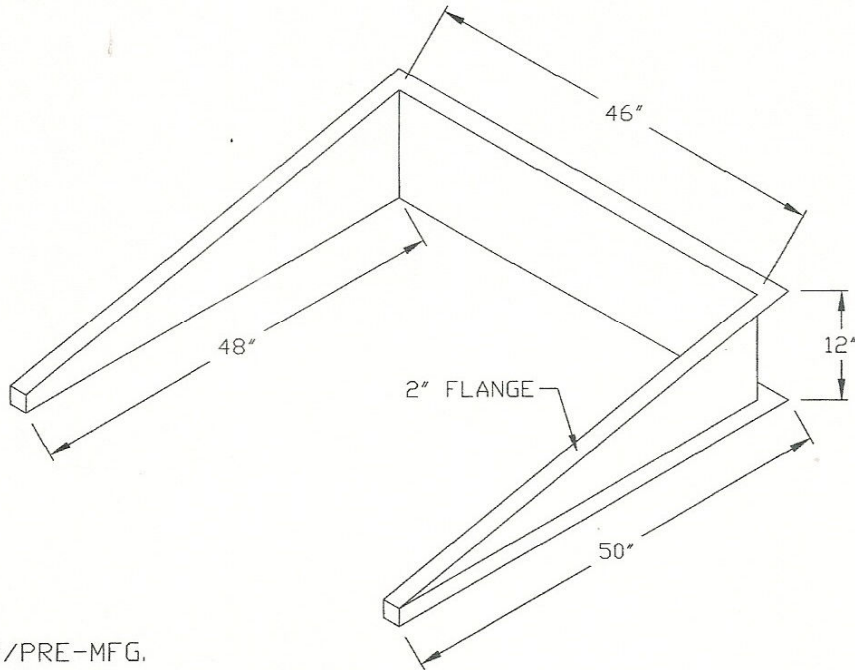


COMPOSITE HILLHOLDER

NOTE: DIMENSIONS ARE MEASURED AT THE INTERSECTION OF PROJECTED ADJACENT PLANES. DRAWING NOT TO SCALE.

ELECTRI-GLASS, INC.
63 COMPASS DRIVE
JACKSON, TN. 38301

731-427-0433 (P)
731-427-4684 (F)
EGLASS@AENEAS.NET
WWW.ELECTRI-GLASS.COM



COMPOSITE
HILLHOLDER/PRE-MFG.
WALL
M.GREEN INTERIOR &
EXTERIOR
POLYESTER REINFORCED
WITH FIBERGLASS

ELECTRI-GLASS, INC.

DATE: 08/28/12	DRAWN BY: J.P.
DWG.# 01	REVISED:
COMPOSITE HILLHOLDER / PRE-MFG.WALL	
CAT.# EGHH-484612	